



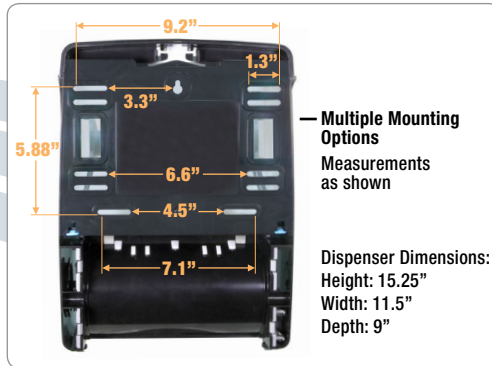
# Hands-Free Mechanical Roll Towel Dispenser



- Mechanical, hands-free operation, with a quick, smooth paper delivery
- Low pull force virtually eliminates tabbing
- Emergency feed assists in paper advance if needed
- Double latch prevents tampering and theft
- Compatible with our MAYFAIR® 350', 425', 600', and 800' hard wound roll towels as well as most standard hard wound roll towels
- Key and hardware included



Inside view of dispenser

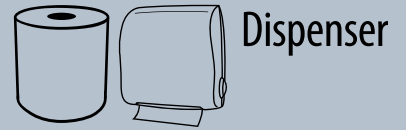


Back view of dispenser

Multiple Mounting Options  
Measurements as shown

Dispenser Dimensions:  
Height: 15.25"  
Width: 11.5"  
Depth: 9"

## Towel & Tissue



Compatible with our MAYFAIR® line of hard wound roll towels as well as most standard hard wound roll towels



2" Core

### MAYFAIR® Hands-Free Mechanical Roll Towel Dispenser

<b>Product Number:</b>	99923
<b>Quantity Per Case:</b>	1 Dispenser
<b>Color:</b>	Black
<b>TI:</b>	9 Cases/Layer
<b>HI:</b>	9 Layers/Pallet
<b>Case Dimensions:</b>	Length: 12.5" Width: 9.3" Height: 14.6"
<b>Cases Per Pallet:</b>	81
<b>Case Weight:</b>	6 lbs
<b>Pallets Per Truck:</b>	30
<b>GTIN:</b>	60660708999239



Scan QR code to view **Mayfair® Hands-Free Mechanical Roll Towel Dispenser video**

To order, contact your **Authorized SELLARS Distributor**

©2020 Sellars Absorbent Materials, Inc. 1.20

