



# Center-Pull Towel Dispenser



Adjustable Opening

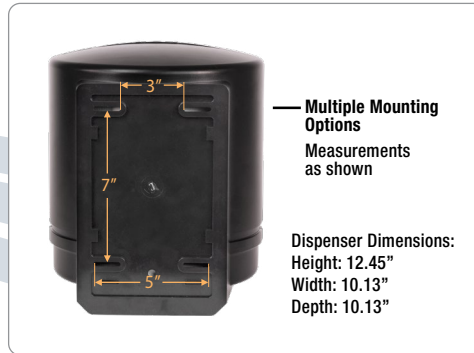


Made in the U.S.A.

- Large capacity ensures long durations between refills
- Touchless dispensing reduces maintenance costs and provides a hygienic hand drying environment
- Made from durable, impact-resistant plastic
- Easy-to-adjust funnel adjusts to accommodate all grades of center-pull paper, single ply to industrial wipes
- Compatible with our MAYFAIR® center-pull towels as well as most center-pull towel rolls



Inside view of dispenser

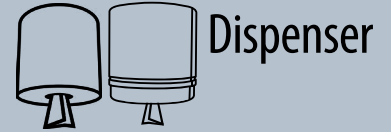


Back view of dispenser

Multiple Mounting Options  
Measurements as shown

Dispenser Dimensions:  
Height: 12.45"  
Width: 10.13"  
Depth: 10.13"

## Towel & Tissue



Center-Pull Towel Dispenser is compatible with all of our White Center-Pull Towels, as well as most Center-Pull Towel Rolls

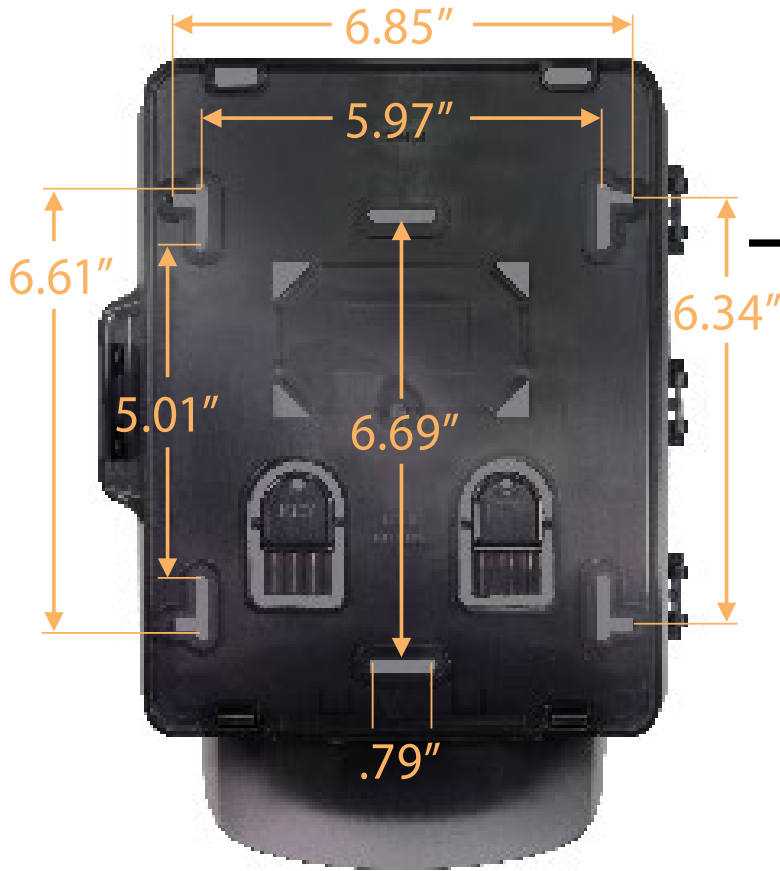


### Mayfair® Center-Pull Towel Dispenser

Product Number	99906
Quantity Per Case	1 Dispenser
Color	Black Translucent
TI	12 Cases/Layer
HI	8 Layers/Pallet
Case Dimensions	Length: 10.5"
	Width: 12"
	Height: 10.5"
Cases Per Pallet	96
Case Weight	2.45 lbs
Pallets per Truck	30
GTIN	10660708999067

To order, contact your **Authorized SELLARS Distributor**

©2023 Sellars Absorbent Materials, Inc. 8.23



— Multiple Mounting Options  
Measurements as shown

Dispenser Dimensions:  
Height: 13.25"  
Width: 10.75"  
Depth: 10.25"