



Center-Pull Towel Dispenser



Adjustable Funnel

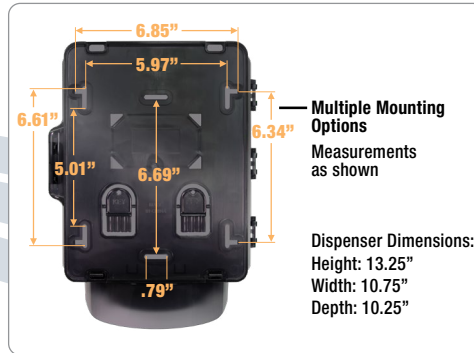


Made in the U.S.A.

- Large capacity ensures long durations between refills
- Touchless dispensing reduces maintenance costs and provides a hygienic hand drying environment
- Made from durable, impact-resistant plastic
- Easy-to-adjust funnel adjusts to accommodate all grades of center-pull paper, single ply to industrial wipes
- Compatible with our MAYFAIR® center-pull towels as well as most center-pull towel rolls



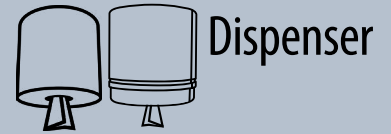
Inside view of dispenser



Back view of dispenser

Multiple Mounting Options
Measurements as shown
Dispenser Dimensions:
Height: 13.25"
Width: 10.75"
Depth: 10.25"

Towel & Tissue

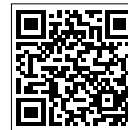


Center-Pull Towel Dispenser is compatible with all of our White Center-Pull Towels, as well as most Center-Pull Towel Rolls



Mayfair® Center-Pull Towel Dispenser

Product Number	99906
Quantity Per Case	1 Dispenser
Color	Black Pearl
TI	4 Cases/Layer
HI	3 Layers/Pallet
Case Dimensions	Length: 11"
	Width: 13.75"
	Height: 11.25"
Cases Per Pallet	12
Case Weight	3.692 lbs
Pallets per Truck	30
GTIN	10660708999067



Scan QR code to view Mayfair® Center-Pull Towel Dispenser video

To order, contact your **Authorized SELLARS Distributor**

©2021 Sellars Absorbent Materials, Inc. 1.21